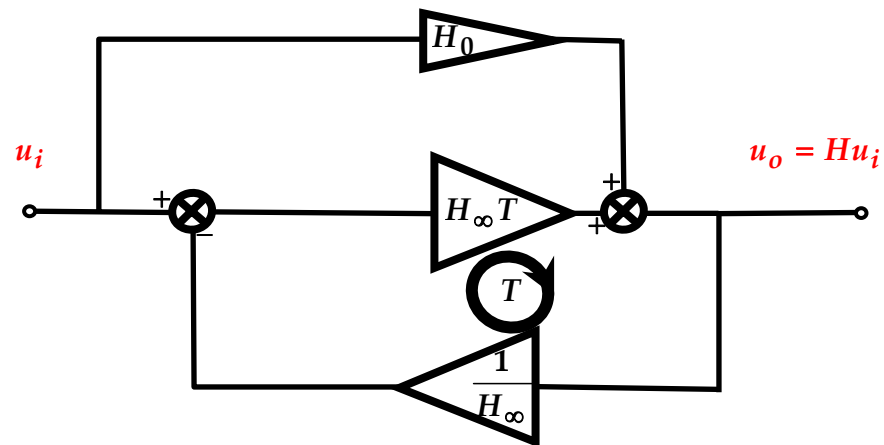
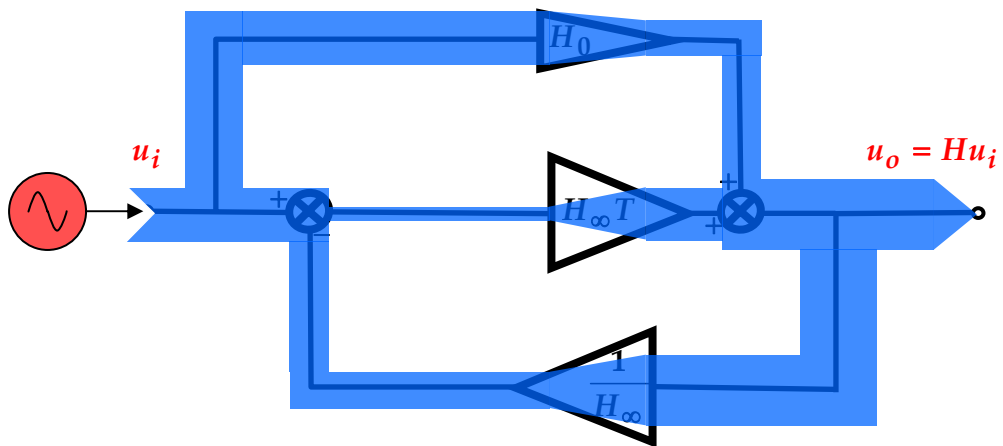
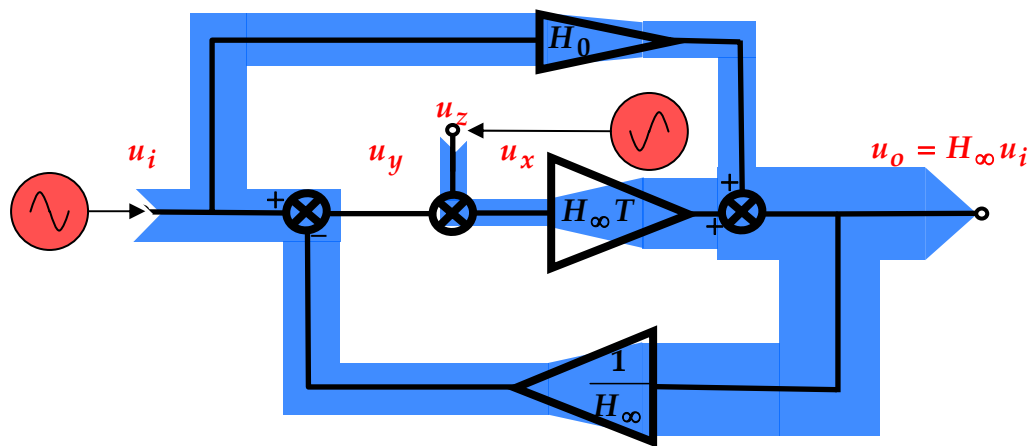
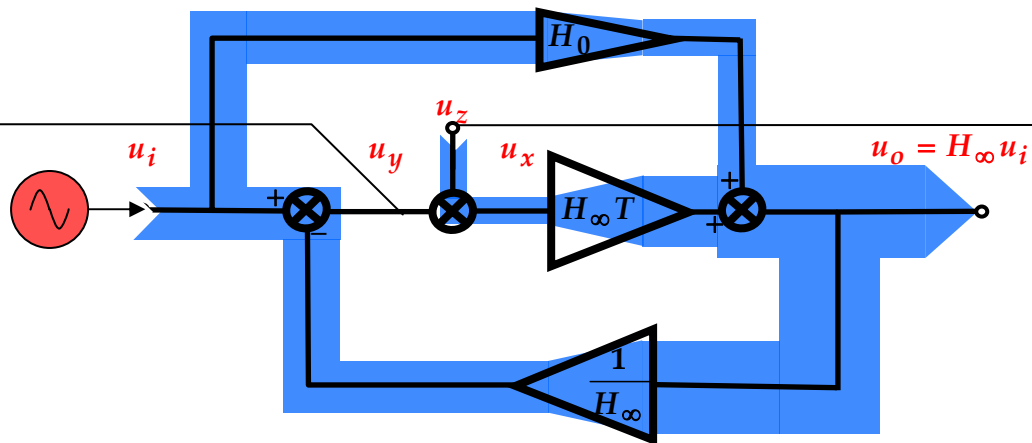
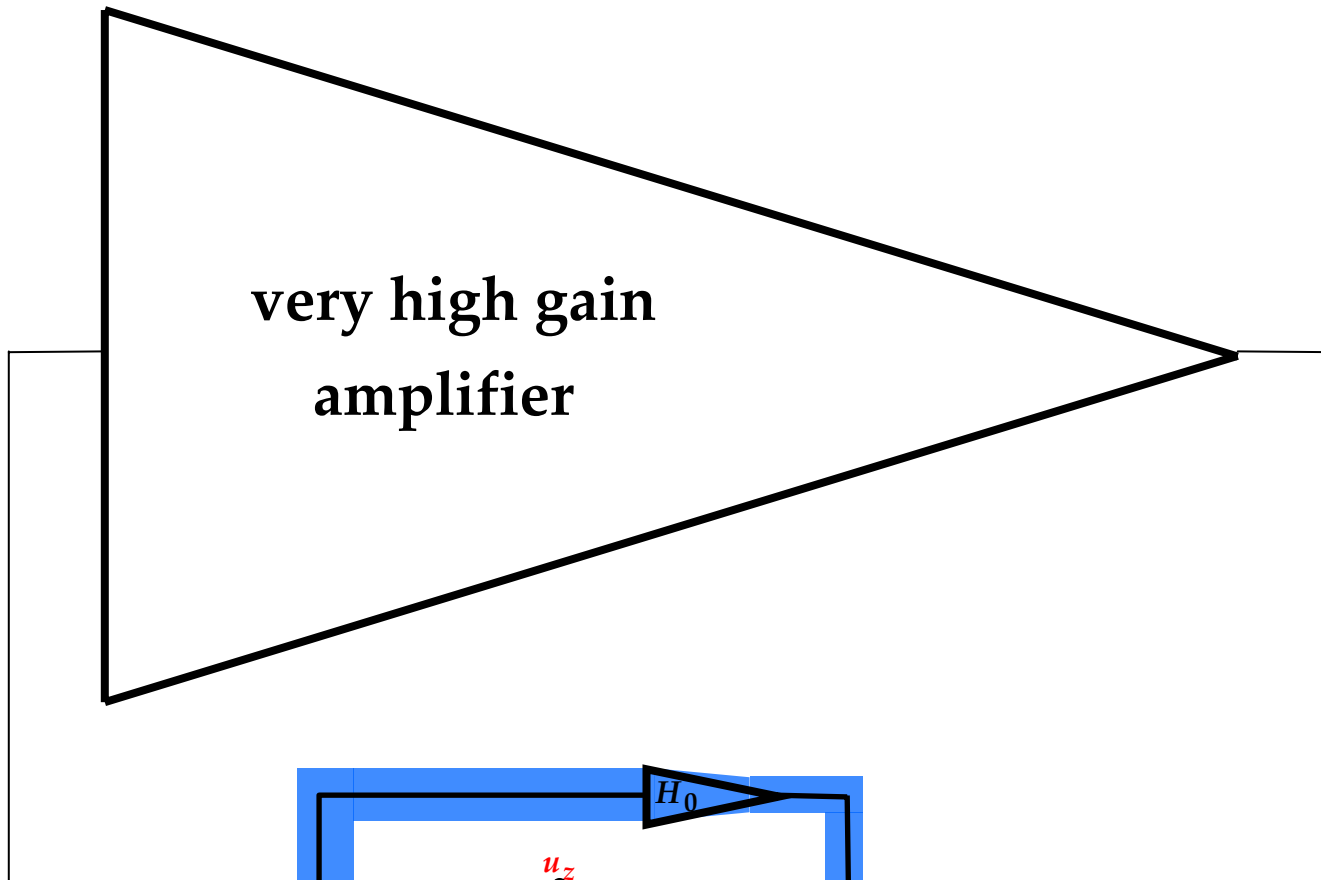


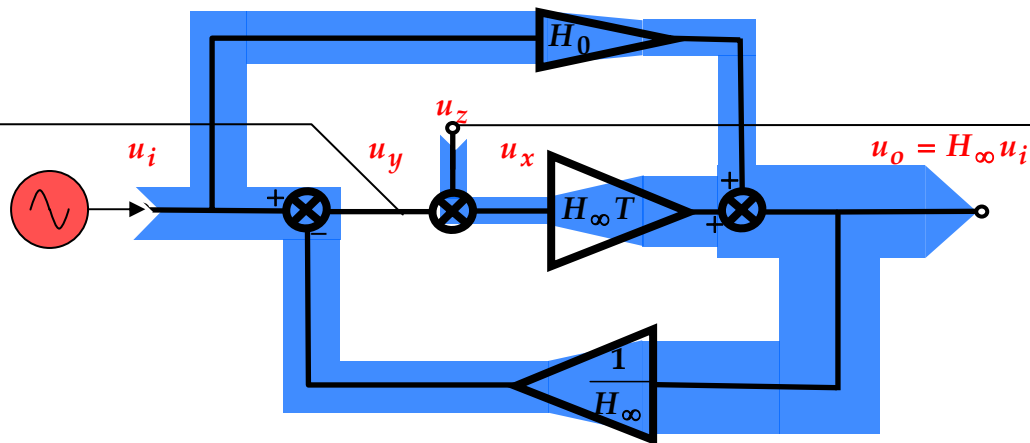
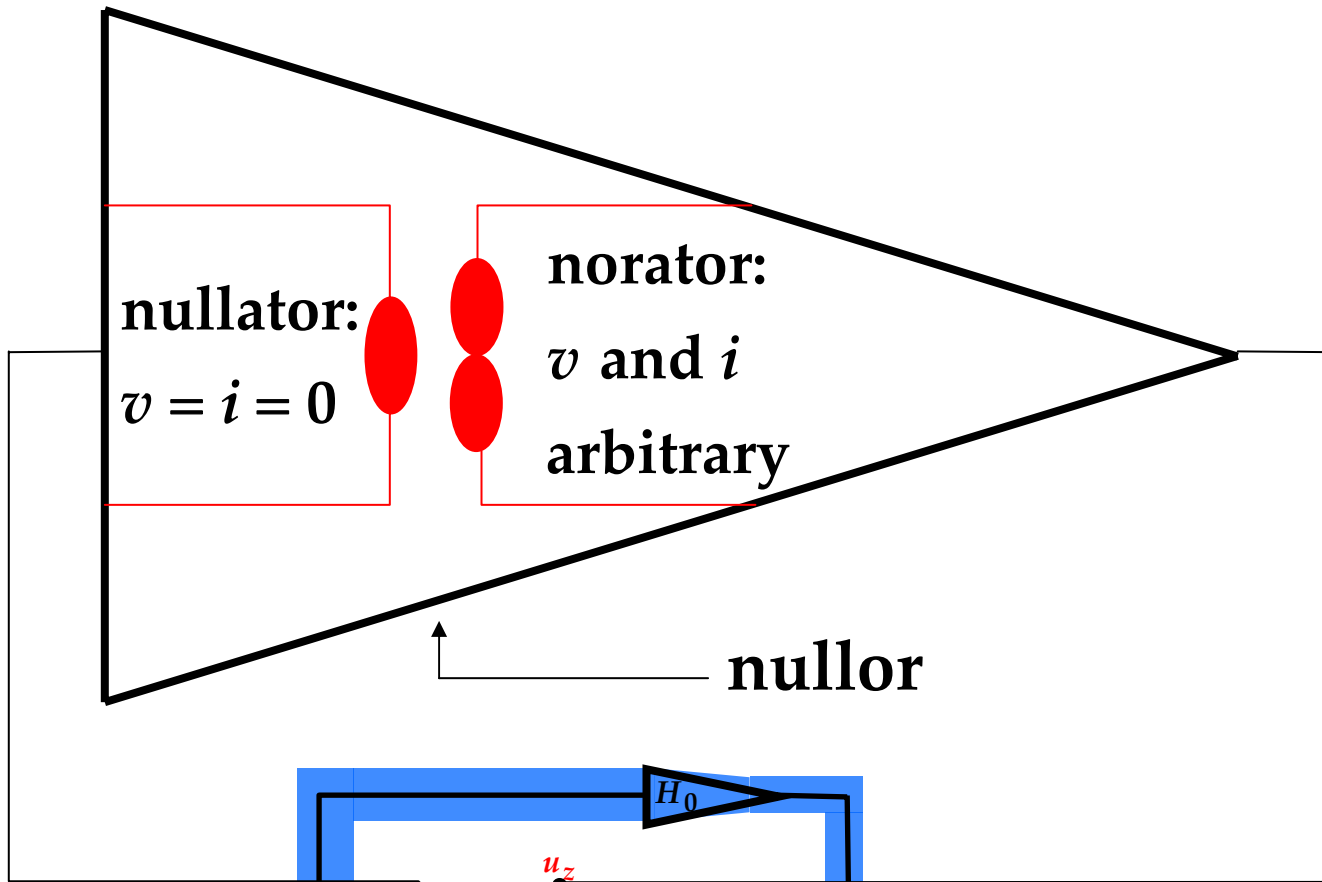
# How to implement an ndi condition



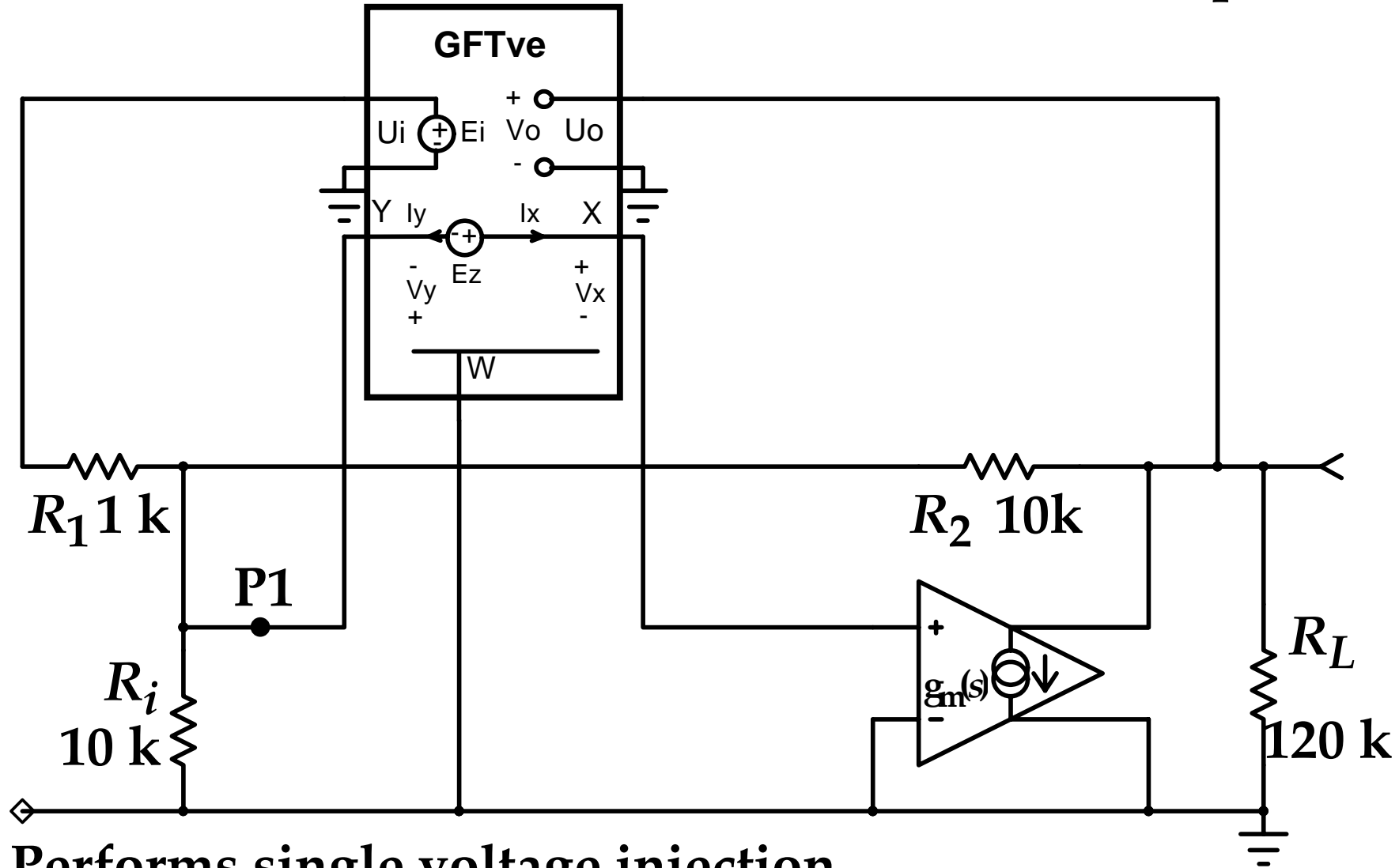






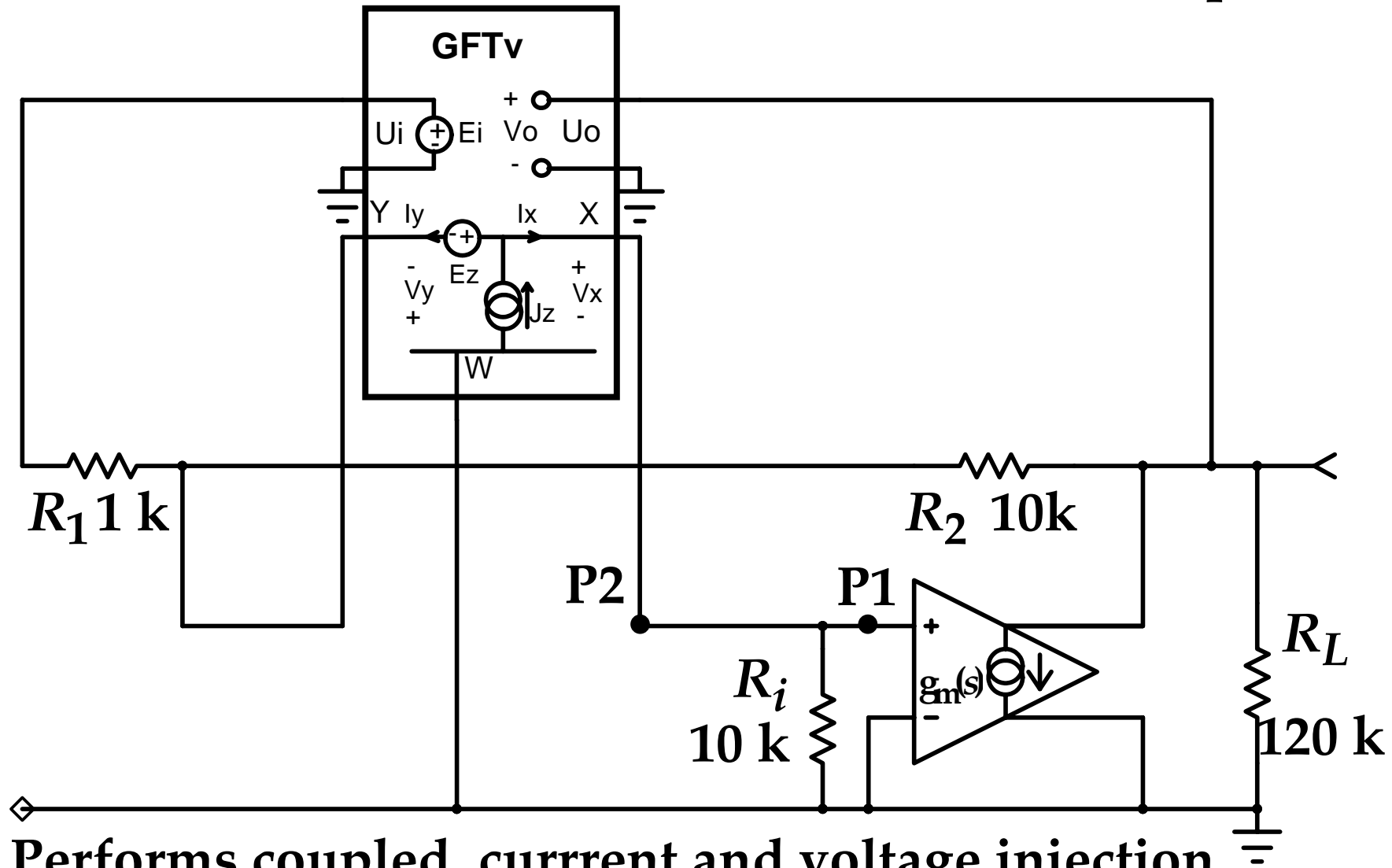


# Intusoft ICAP/4 Circuit Simulator with GFT Template



Performs single voltage injection  
at the ideal point P1

# Intusoft ICAP/4 Circuit Simulator with GFT Template



Performs coupled current and voltage injection  
at the same nonideal point P2